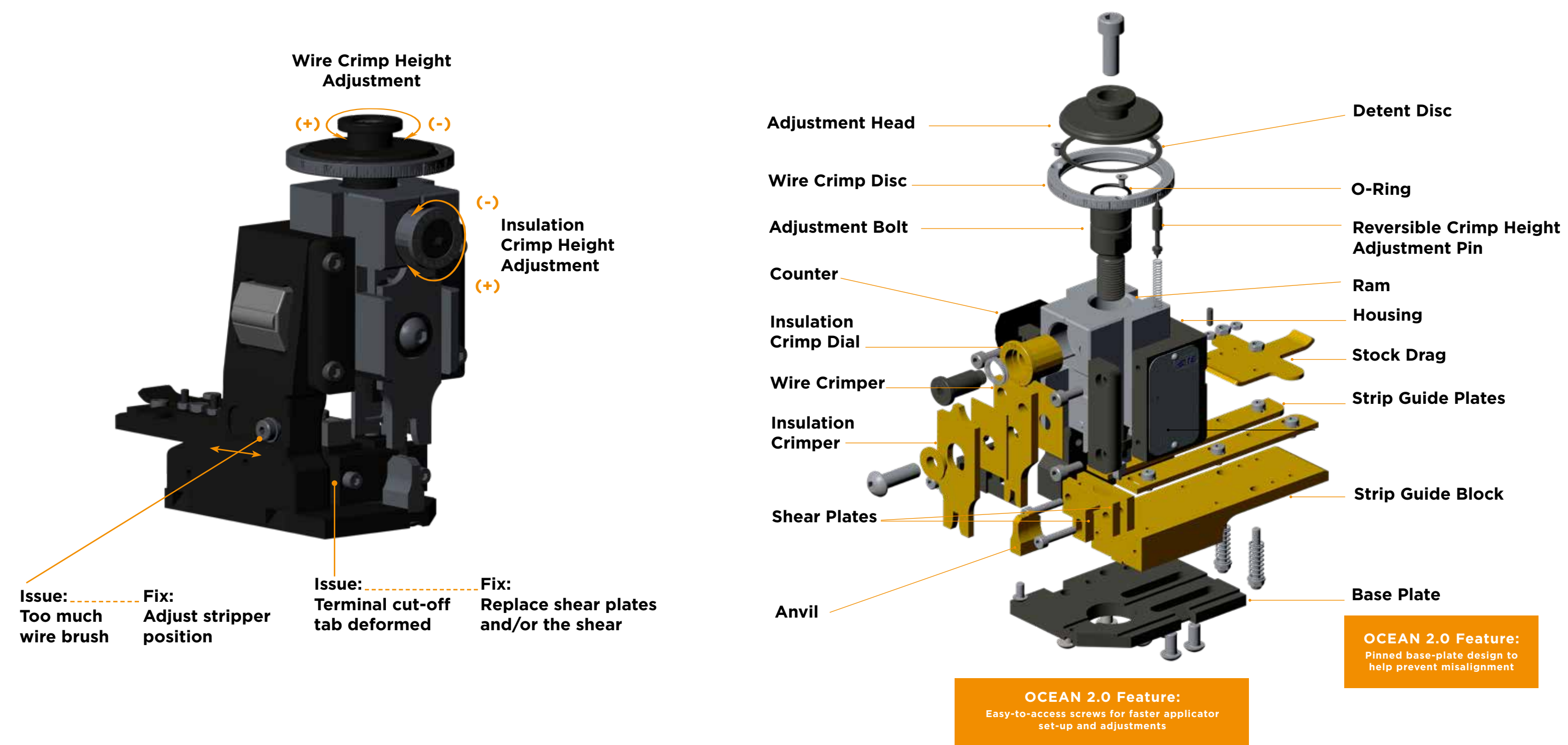
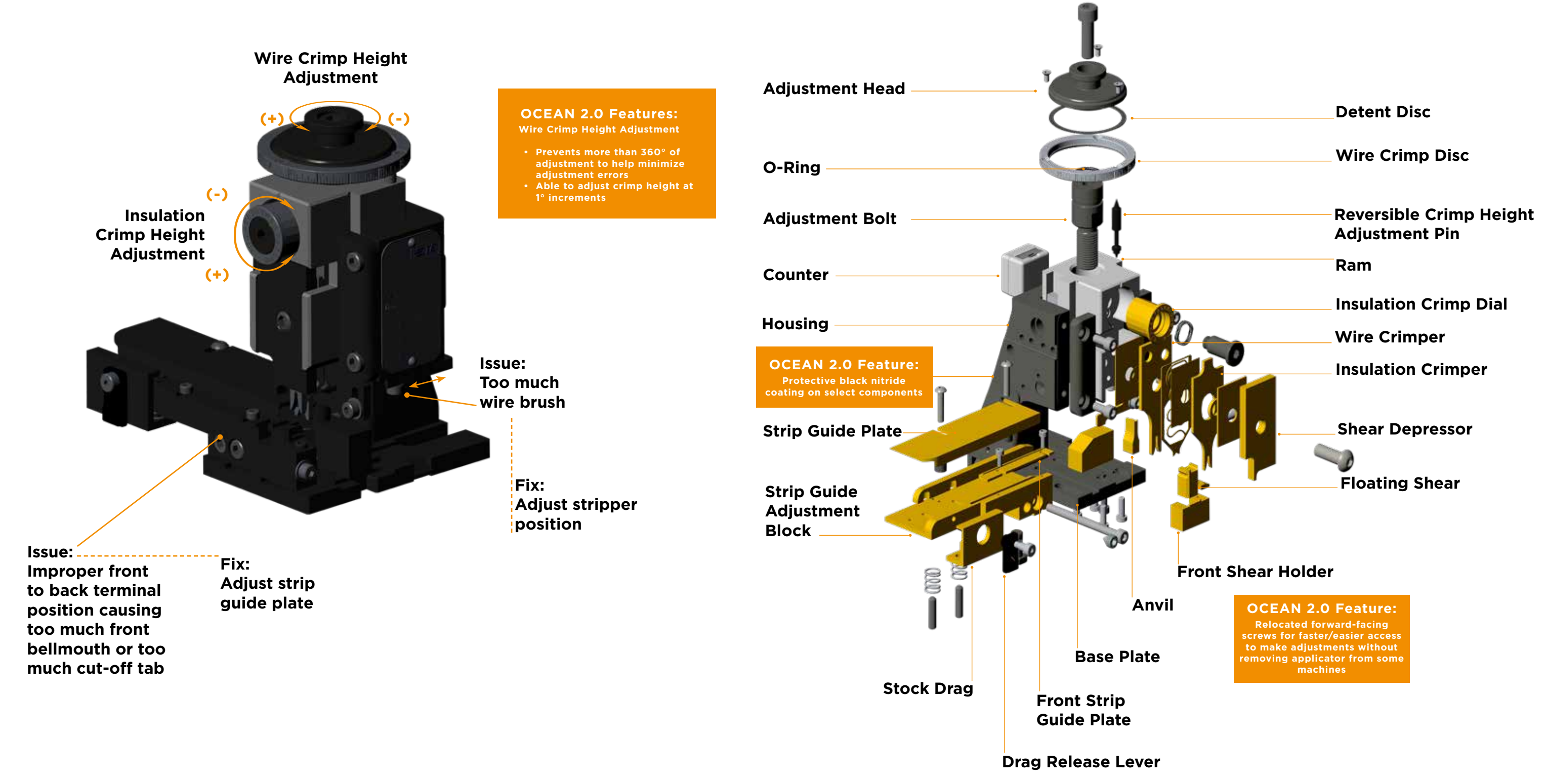


OCEAN 2.0 APPLICATOR

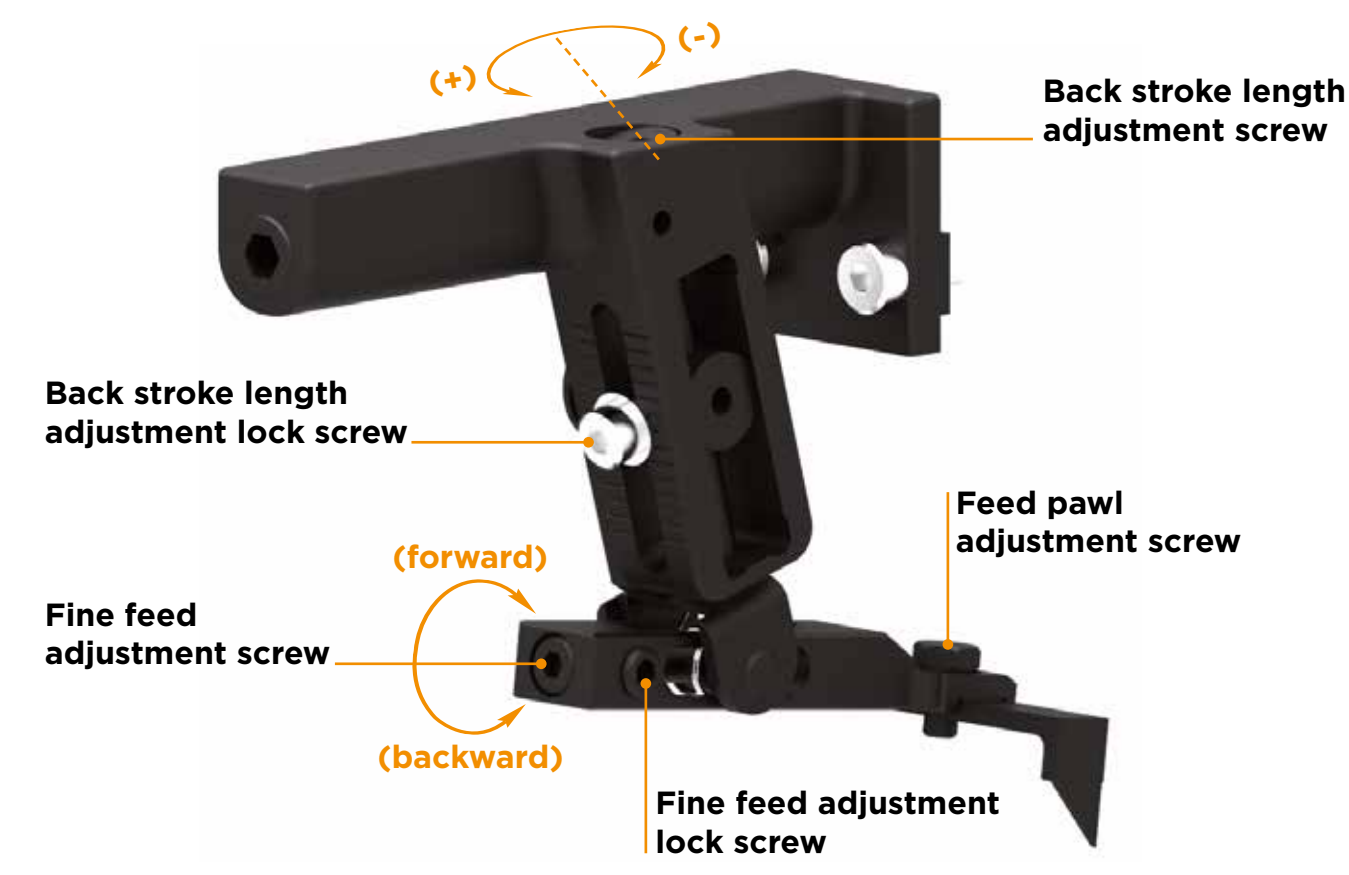
End Feed Applicator



Side Feed Applicator

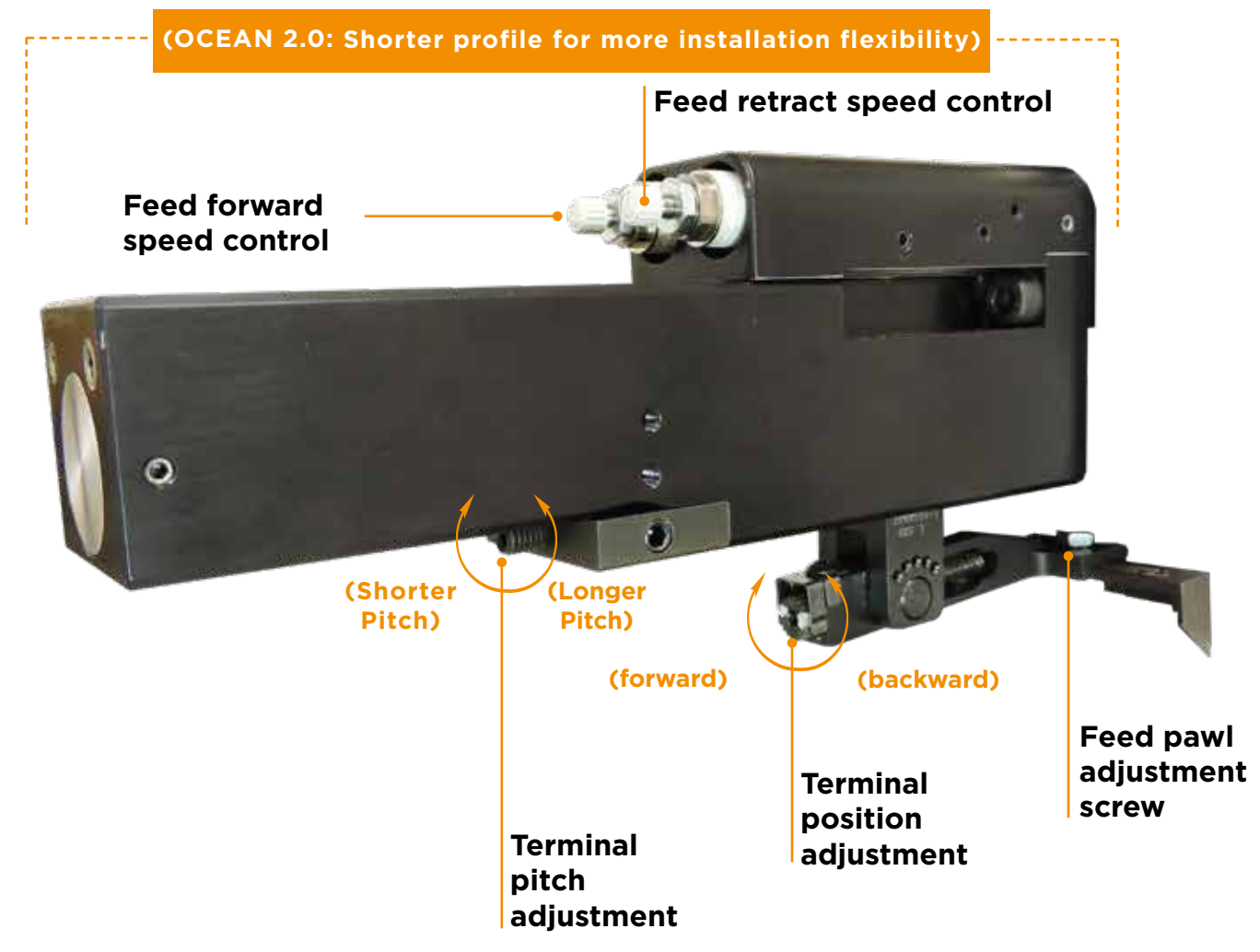


Mechanical Feed



All feed modules and adjustments are the same for side-feed and end-feed applications.

Pneumatic Feed



SCAN TO PLAY OUR HELPFUL VIDEOS



Crimp Quality Fundamentals Video



Click to download the CrimpData App



OCEAN 2.0 Video



How to Select an Applicator Video

